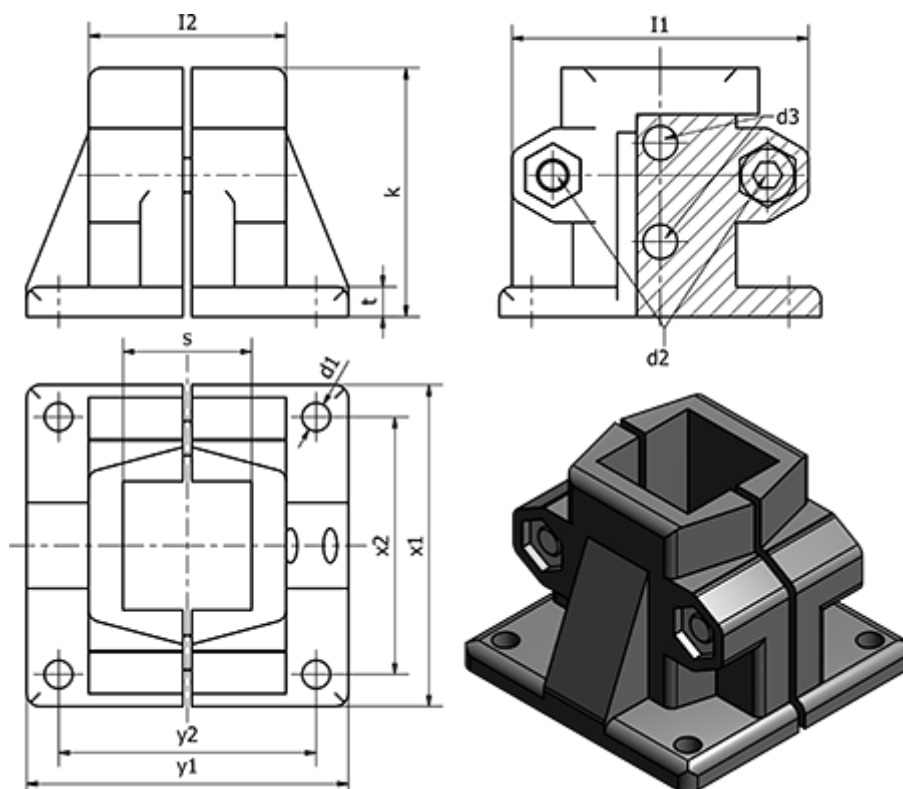


Article number: 201651V402SW

Description: E+G Tube connector - GN 165.1-V40-2-SW

Measures



Clamping kit for d2 = GN 911-M10-55

d1 = 11
 d2 = M10
 d3 = M5
 l1 = 98
 l2 = 70
 k = 91
 s = V40

t = 14
 Weight (g) = 920
 x1 = 115
 x2 = 90
 y1 = 119
 y2 = 90